

BreakFree on Cashel Conference Kit



BreakFree[®]
ON CASHEL



Gain the business benefits, **without the hidden costs**

You don't need to pay a premium to have your conference in a prime location. BreakFree on Cashel is a funky, affordable and stylishly remodelled hotel, located in the heart of Christchurch's CBD. With a contemporary urban design, cutting edge technology and a warm welcome, BreakFree on Cashel is a great choice when seeking Christchurch accommodation and conference space. If you want the benefits without breaking the budget, bring your delegates to BreakFree on Cashel. Together, we'll give them a unique experience.

Conferences

BreakFree on Cashel is a fantastic venue for both meetings and conferences, offering contemporary conference spaces and a range of bright, modern accommodation. Choose from four different conference venues, all supported by top notch technologies. The hotel has Café and Bar 165 located on-site and is conveniently located smack bang in the heart of the CBD. Our experienced Conference Coordinator can take care of all your event details, including accommodation, catering, and technology.

Conference Packages

We've got a range of meeting packages available to suit any event requirements, including full event management, audio visual services, catering, transport and team building. Our experienced Conference Coordinator can help you choose the right package for any meeting or event, and is happy to work with you to tailor your own package.

Dining

Café and Bar 165, located at BreakFree on Cashel, is a contemporary and funky space and serves modern, local and western cuisine. Your delegates can also enjoy a huge selection of dining choices only walking distance or a short drive from the hotel.

Accommodation

A range of pod-style urban accommodation options are available in the 263-room BreakFree on Cashel, including affordable double rooms, multi-share bunk rooms and first rate hotel rooms located on the top floor.

Unique team building activities

An entire city to play in and plenty of team based activities to suit the size and mindset of the group.

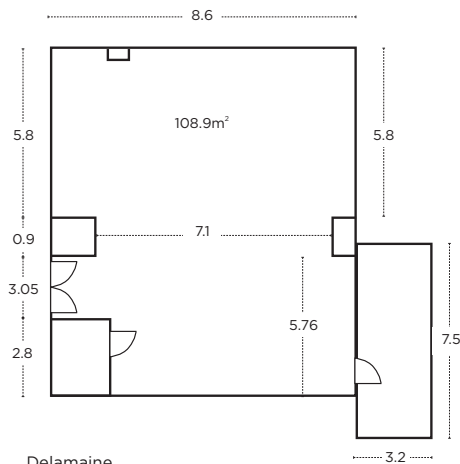
Location

BreakFree on Cashel is located in the heart of the city, in close proximity to local shopping hot spots Riverside Market and Ballantynes Department Store. The hotel is walking distance to the iconic Cathedral Square, new transitional "Cardboard" Cathedral, Botanical Gardens and Hagley Park.

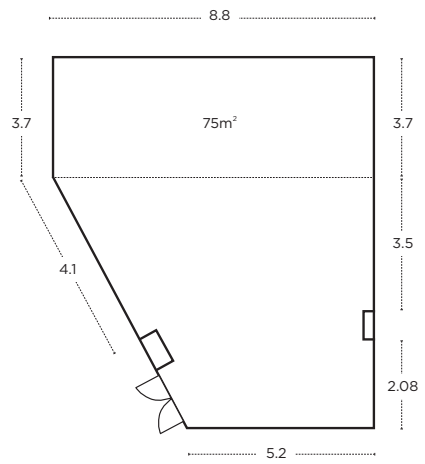
Conference Venues and Capacities

Venue	Boardroom	Cocktail	Theatre	Banquet	Classroom	U-Shape	Cabaret
George Jakins	20	50	50	50	40	35	40
Richard Walton	30	60	60	60	40	30	40
Delamaine	10	-	-	-	-	-	-
William Bower	10	30	20	18	18	12	20

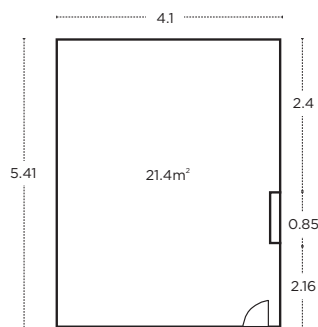
George Jakins



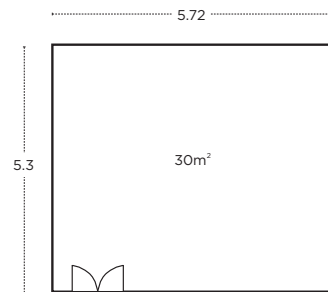
Richard Walton



Delamaine



William Bower



*Please note: Floor plans not to scale

George Jakins

A large spacious room filled with natural light and a floor to ceiling window located on the south side of the room. The room opens onto a glass infinity balcony with views over the city and includes a server dispense bar and built-in projector screen.

Richard Walton

Located on the ground floor, Richard Walton has double opening doors which open on to the lobby, ideal for networking and cocktail functions. The room has a flat screen television with laptop compatibility and half of the area is parquet floor.

Delamaine

Pre-set boardroom table with 10 ergonomically adjustable chairs, natural lighting and a flat screen TV compatible for VGA display.

William Bower

Ideal for intimate dining, breakouts and workshops, featuring a flat screen TV compatible for VGA display.



Day Delegate Packages and Audio Visual

Conference Day Delegate Package – Full and half day packages available

Minimum 10 delegates

Inclusions:

- Morning or afternoon tea refreshments
- Buffet lunch
- Conference room set up and hire
- Pads, pens, mints and iced water
- WiFi
- Standard audio visual (1 x flipchart, 1 x whiteboard, data projection screen, extension cord and multi box)

Audio Visual

Our outsourced AV company can assist with setting up any audio visual and lighting concepts. Below is additional audio visual equipment that is available and you may wish to consider. Prices available on enquiry.

Additional AV Equipment Available:

- Data Projector
- Additional Flip Charts
- Additional Whiteboards
- Lapel Microphone
- PA system
- TV & DVD package



Accommodation

A range of pod-style urban accommodation options are available in the 263-room BreakFree on Cashel, including affordable double rooms, multi-share bunk rooms and first rate hotel rooms located on the top floor. Rooms have sleek stylish work-spaces and blue lights which illuminate from under the bed, along with mood lighting in the bathroom that can even be changed to suit how you're feeling. Rooms are small yet efficient, featuring comfortable bedding, module style bathrooms with glass doors and LCD smart TV's with paid digital channels (Sky TV). Perfect for the business traveller, the LCD smart TV's also come with free wireless keyboards to use, as well as day to day apps available on screen and cell phone mirroring services.

Inner Urban Double

The room is cosy and compact with a double bed, shower, fridge, wireless internet, LCD TV with paid digital channels, and in room movies, so delegates can have some downtime before their next day of activity. No natural light in room.

City Urban Double

The City Urban Double features a window with lots of natural light, a comfy bed, wireless internet, LCD smart TV with digital channels, in room movies and a fridge for delegates to store their drinks and snacks.

Inner Urban Queen

With all of the features and facilities you need with none of the fuss you don't, this is a great place to rest your head, catch up on news, watch a movie or two, and get organised for the next day of activity. No natural light in room.

City Urban Queen

Complete with a Queen Bed, wireless internet, LCD TV with digital channels, fridge and bathroom. The window provides natural light and city views, so delegates can check out the weather in the morning before starting the day.

City Urban King

With a window that streams natural light, bathroom with shower, WiFi access, and the bonus of a comfortable King sized bed, along with a whole bunch of other great facilities including in room movies, LCD smart TV and digital channels, the City Urban King is a great choice.

Inner Urban King

Decked out with a comfortable King size bed, with a bathroom, wireless internet access, in-room movie and fridge, the Inner Urban King has all of the essential accommodation necessities when visiting Christchurch. No natural light in room.

City Urban Premium

City Urban Premium features wireless internet, LCD TV with paid channels, fridge and bathroom. There is a large window which streams plenty of natural light making this room nice and bright.



Activities and Team Building

Our dedicated Conference Coordinator will take care of all your team building activities to keep your delegates focussed and entertained between conference sessions. Here are five of our most popular choices:

Amazing Races

An exhilarating Amazing Race where teams work their way through the city and face off head to head. Teams race against the clock and each other to complete the tasks, obtain pieces of the puzzle and be crowned the overall winner.

Cook-off Challenge

Excite your taste buds and test delegates cooking skills in the fun filled Cook-off cooking challenge. Teams will be shown a cooking demonstration by the on-site chef and given the opportunity to replicate this item to the best of their abilities.

Christchurch Biking & Walking Tour

Join our local team in a cycling and walking experiences that incorporates the past, present and future of Christchurch city. A great team activity that allows you to step outside the walls of the conference room and enjoy what Christchurch has to offer.

Punting on the Avon

In summer or winter, glide along the tranquil Avon River in Christchurch as a skilled punter in traditional Edwardian attire propels you slowly along the water. Avon River Punting tours are set aboard handcrafted flat-bottomed boats, poled along by your punter from the platform till at the rear end of the boat. An ideal group activity, Punting on the Avon is an eco-friendly way to relax and enjoy Christchurch from a different perspective.

Christchurch Tram

Enjoy your journey in style through the changing face of Christchurch's city centre on board our beautifully restored heritage Trams, one of Christchurch's leading attractions. The friendly and knowledgeable drivers will inform you about the city, its landmarks and local sights. Your day-long ticket allows you to get on and off the Tram as often as you please!

Great value. Great locations. Great breaks.

BreakFree on Cashel

165 Cashel Street,

Christchurch, New Zealand

Phone: (03) 360 1064

Email: cashel.conf@breakfreeresorts.co.nz

Website: breakfree.com.au/on-cashel

BreakFree 
ON CASHEL